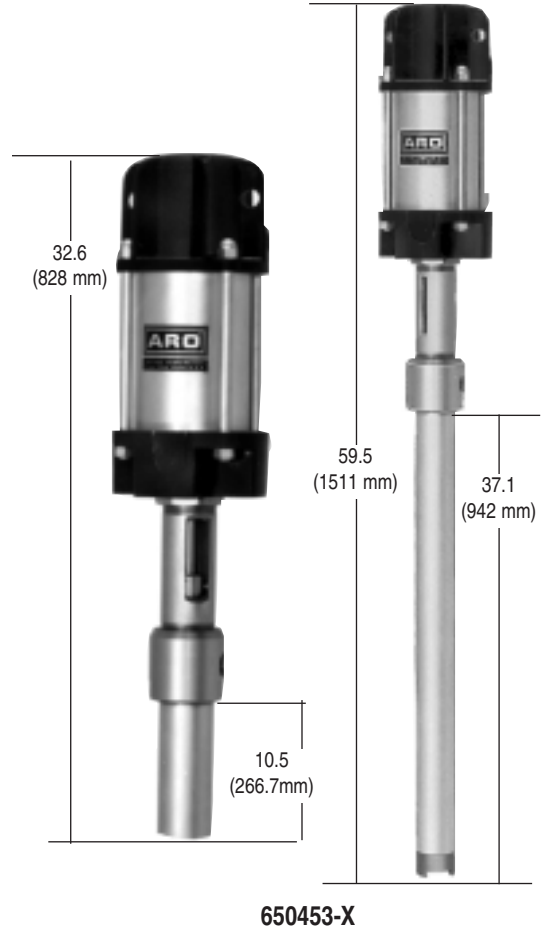


# Pump Performance

Air Inlet Pressure Range . . . . . 30 - 120 PSI (2 - 8.3 bar)  
 Fluid Pressure Range . . . . . 270 - 1350 PSI (18.3 - 91.8 bar)  
 Max. Rec'd Cycles Per Minute . 60  
 Displacement Per Cycle . . . . . 11 in<sup>3</sup> (180.2 cm<sup>3</sup>)  
 Cycles Per Gallon (Liter) . . . . . 21 (5.5)  
 Flow @ 60 Cycles / Minute . . . . 2.8 GPM (10.5 lpm)  
 Noise Level @ 60 Psi . . . . . 80 db(A)

# Pump Specifications

Lower Pump Material . . . . . Carbon Steel  
 Plunger Material . . . . . Carbon Steel  
 Cylinder Material . . . . . Carbon Steel  
 Air Motor . . . . . 65445-B  
 Motor Repair Kit . . . . . 61268  
 Motor Diameter . . . . . 4-1/4"  
 Stroke . . . . . 4"  
 Air Inlet . . . . . 1/2" NPT(F)  
 Lower Pump End Series . . . . . 650453-X  
 Lower Pump Repair Kit . . . . . 637177 for 650453-5  
 Order parts separately for . . . . . 650453-7, -8, -9  
 Material Inlet . . . . . 1-1/2" NPT for 650453-7/650453-9  
 . . . . . Immersed for 650453-5/650453-8  
 Material Outlet . . . . . 3/4" NPT(F)  
 Weight . . . . . 35 lbs. (15.8 kgs.) for 650453-7/650453-9



9

# Ordering

6 5 0 4 5 3 -X

Type	Packings
7 : Stub (Wall Mount)	Leather/Teflon
5 : 55-Gallon (205 Liters)	Teflon
9 : Stub (Wall Mount)	UHMW-PE/Leather
8 : 55-Gallon (205 Liters)	UHMW-PE

# Accessories

Air F/R/L: C28241-810  
 Wall Mount: 66100  
 Airline Oil: 62274  
 Muffler: 91790  
 Wet Sol: 66333-B

