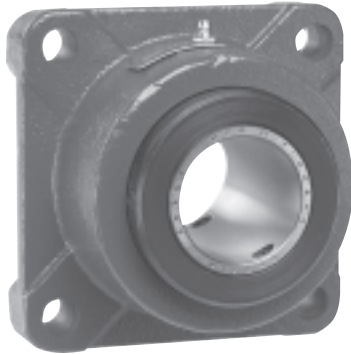




Tapered Roller Bearings

FBE920



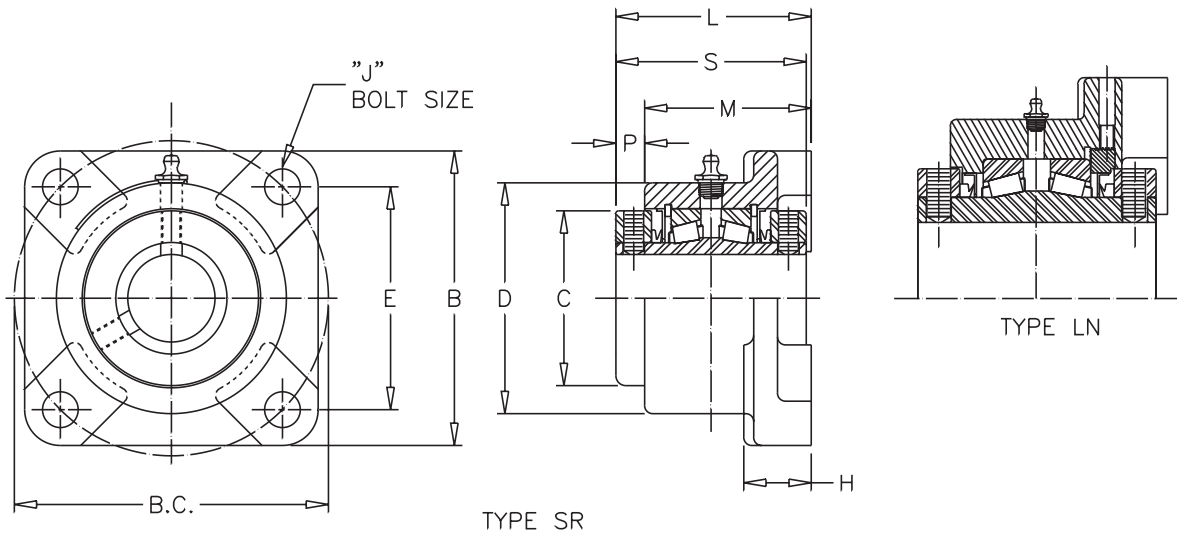
FLANGE F
BLOCK B
TYPE 'E' E

920 9
SET SCREW LOCK 2
TAPERED ROLLER BEARING 0

**Dimensional Interchange
with most Type E's**

Lock: Set Screw
Seal: Contact
Housing: Cast Iron
Temperatures: -20° to 200°F
Fitting: 1/8" NPT
Bearing Insert: Tapered Roller

Load Rating Tables: Page 111
Interchange Tables: Page 162



SHAFT DIA. IN.	TYPE	Dimensions In Inches											UNIT WT.
		B	B.C.	C	D	E	H	J	L	M	P	S	
1 3/16 1 1/4	SR	3 3/4	4 1/16	2 1/4	3	2 7/8	1 1/32	3/8	2 27/32	2 3/8	15/32	2 25/32	4.5
1 3/8 1 7/16	SR	4 5/8	4 61/64	2 3/4	3 5/8	3 1/2	1 1/16	1/2	3 5/64	2 5/8	29/64	3	6.7
1 1/2 1 5/8 1 11/16	SR	5 3/8	5 53/64	3 3/16	4 1/4	4 1/8	1 3/16	1/2	3 29/64	3	29/64	3 3/8	10.0
1 3/4 1 15/16 2	SR	5 5/8	6 3/16	3 7/16	4 1/2	4 3/8	1 3/16	1/2	3 5/8	3 1/8	1/2	3 1/2	12.0
2 3/16 2 1/4 2 7/16 2 1/2	SR	6 1/4	6 57/64	3 3/4	4 7/8	4 7/8	1 1/4	5/8	3 7/8	3 5/16	9/16	3 3/4	16.0
2 11/16 2 3/4 2 15/16 3	SR	6 7/8	7 39/64	4 1/16	5 1/4	5 3/8	1 1/2	5/8	4 3/16	3 5/8	9/16	4	21.0
3 3/16 3 7/16 3 1/2 3 15/16 4	LN	7 3/4	8 31/64	4 23/32	6 1/8	6	1 5/8	3/4	4 11/16	3 15/16	3/4	4 1/2	28.0
	LN	9 1/4	9 29/32	5 7/16	7 1/2	7	1 7/8	3/4	5 1/4	4 9/16	11/16	5	46.0
	LN	10 1/4	10 31/32	5 15/16	8 1/4	7 3/4	2 3/16	7/8	6 9/16	5 11/16	7/8	6 1/4	64.0

Part Numbers are specified by "FBE920" and bore size: Example, FBE920x 1 3/16".